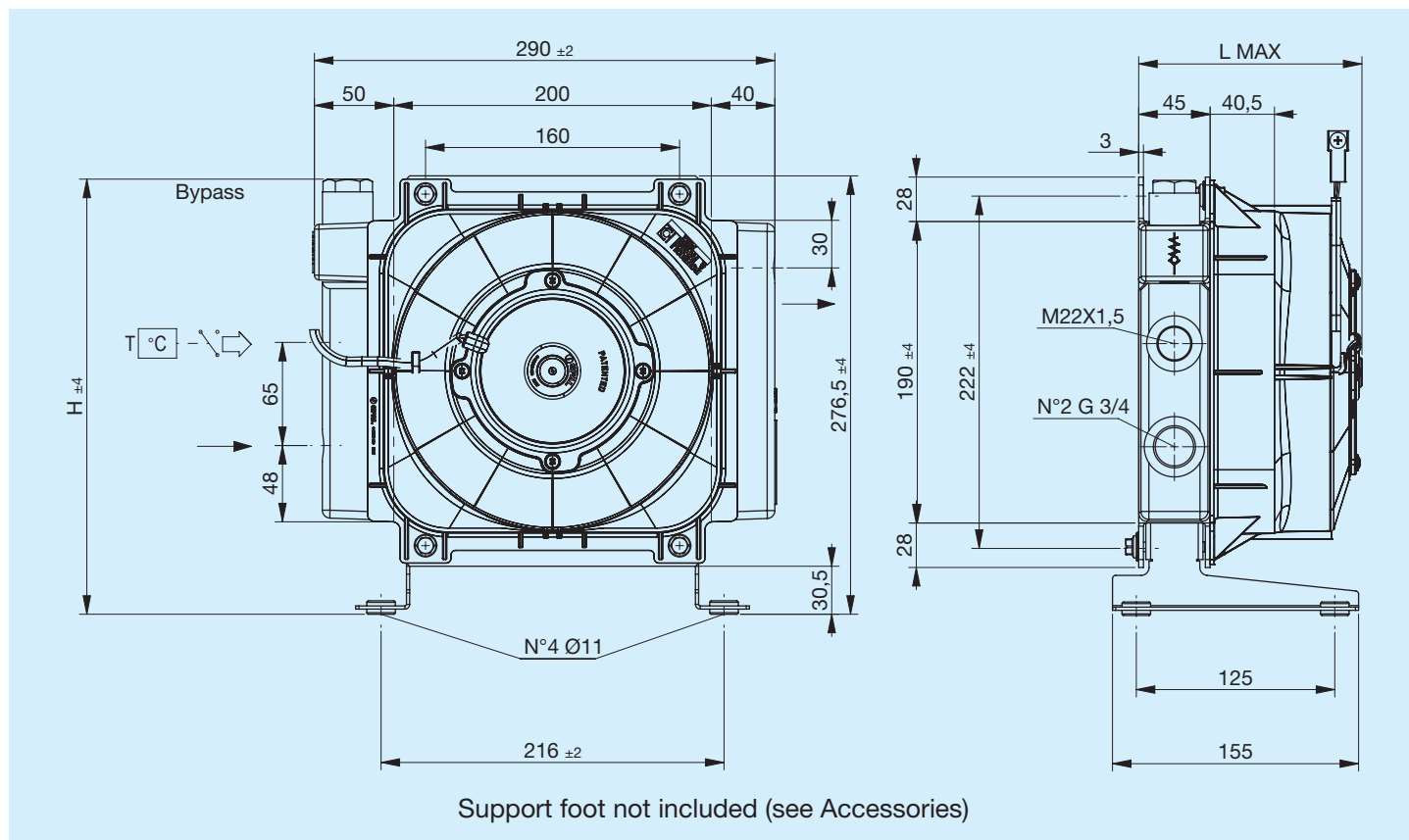


A16

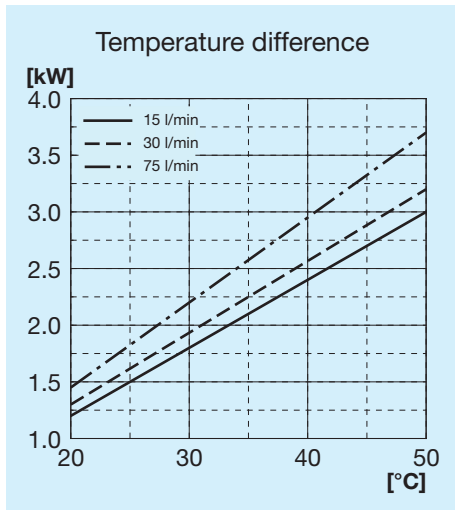


Before using the heat exchanger, carefully read the document entitled GENERAL INSTRUCTIONS FOR HEAT EXCHANGER USE.

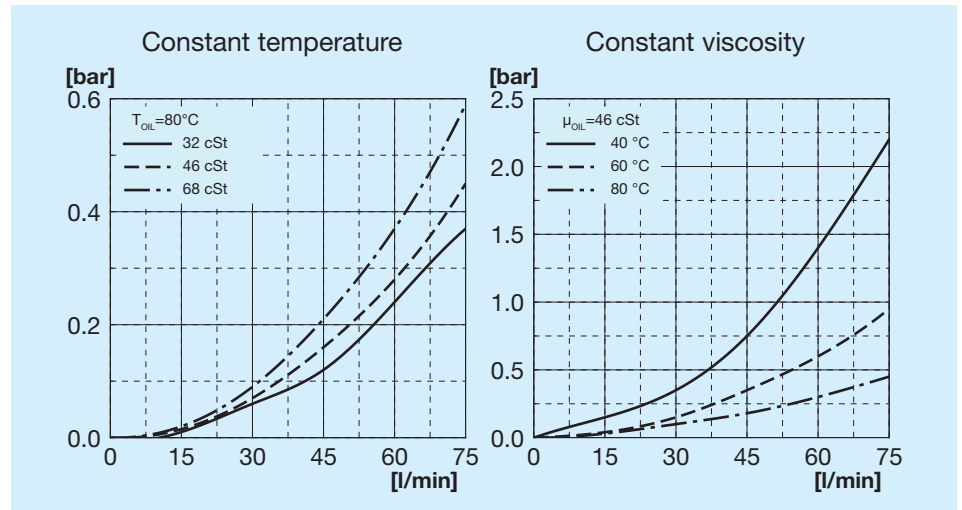


Code	Description	Ø Fan mm	Air flow rate m³/h	Voltage V	Current A	L Max mm	H mm	Weight Kg	Capacity l
FR633050003	A16 1EAP 12V	190	600	12	4.5	145	276.5	3.7	1
FR633050004	A16 1ESP 12V	190	570	12	4.6	145	276.5	3.7	1
FR633050013	A16 1EAP 24V	190	650	24	2.9	145	276.5	3.7	1
FR633050014	A16 1ESP 24V	190	640	24	2.7	145	276.5	3.7	1
FR633051003	A16 1EAP 12V bypass T15 VNR 4.5 bar	190	600	12	4.5	145	258	3.7	1
FR633051004	A16 1ESP 12V bypass T15 VNR 4.5 bar	190	570	12	4.6	145	258	3.7	1
FR633053103	A16 1EAP 12V bypass T15 V.T. 3 bar 60°C	190	600	12	4.5	145	274	3.7	1
FR633053104	A16 1ESP 12V bypass T15 V.T. 3 bar 60°C	190	570	12	4.6	145	274	3.7	1
FR633051013	A16 1EAP 24V bypass T15 VNR 4.5 bar	190	650	24	2.9	145	258	3.7	1
FR633051014	A16 1ESP 24V bypass T15 VNR 4.5 bar	190	640	24	2.7	145	258	3.7	1
FR633053113	A16 1EAP 24V bypass T15 V.T. 3 bar 60°C	190	650	24	2.9	145	274	3.7	1
FR633053114	A16 1ESP 24V bypass T15 V.T. 3 bar 60°C	190	640	24	2.7	145	274	3.7	1

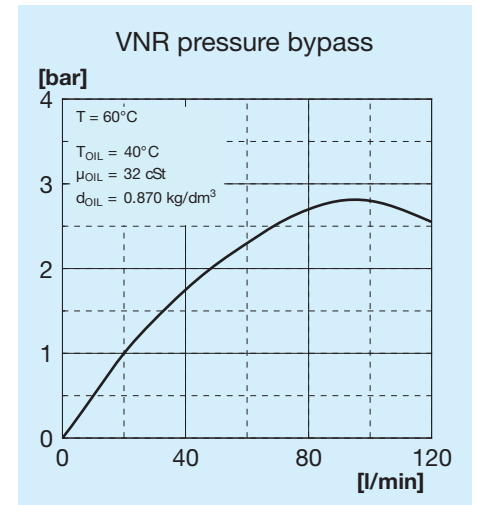
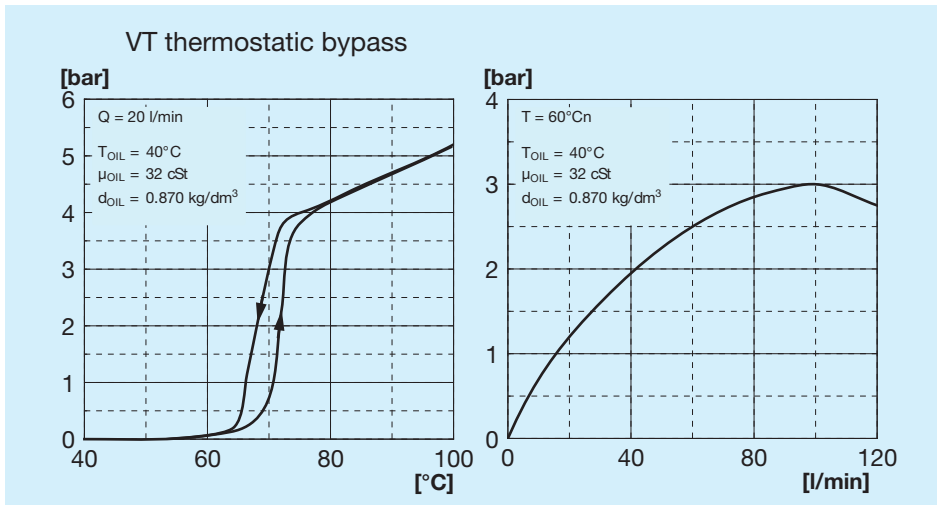
Heat exchange (thermal) capacity



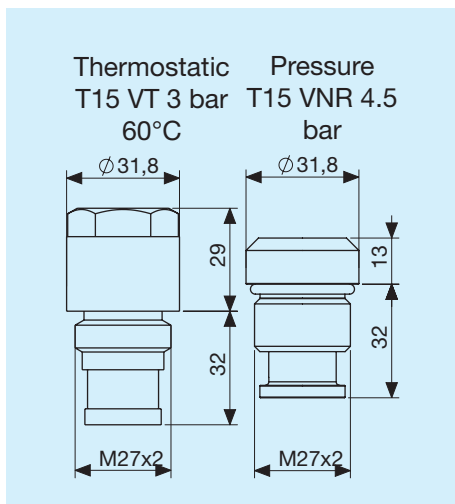
Radiator passage pressure drop



Bypass passage load loss

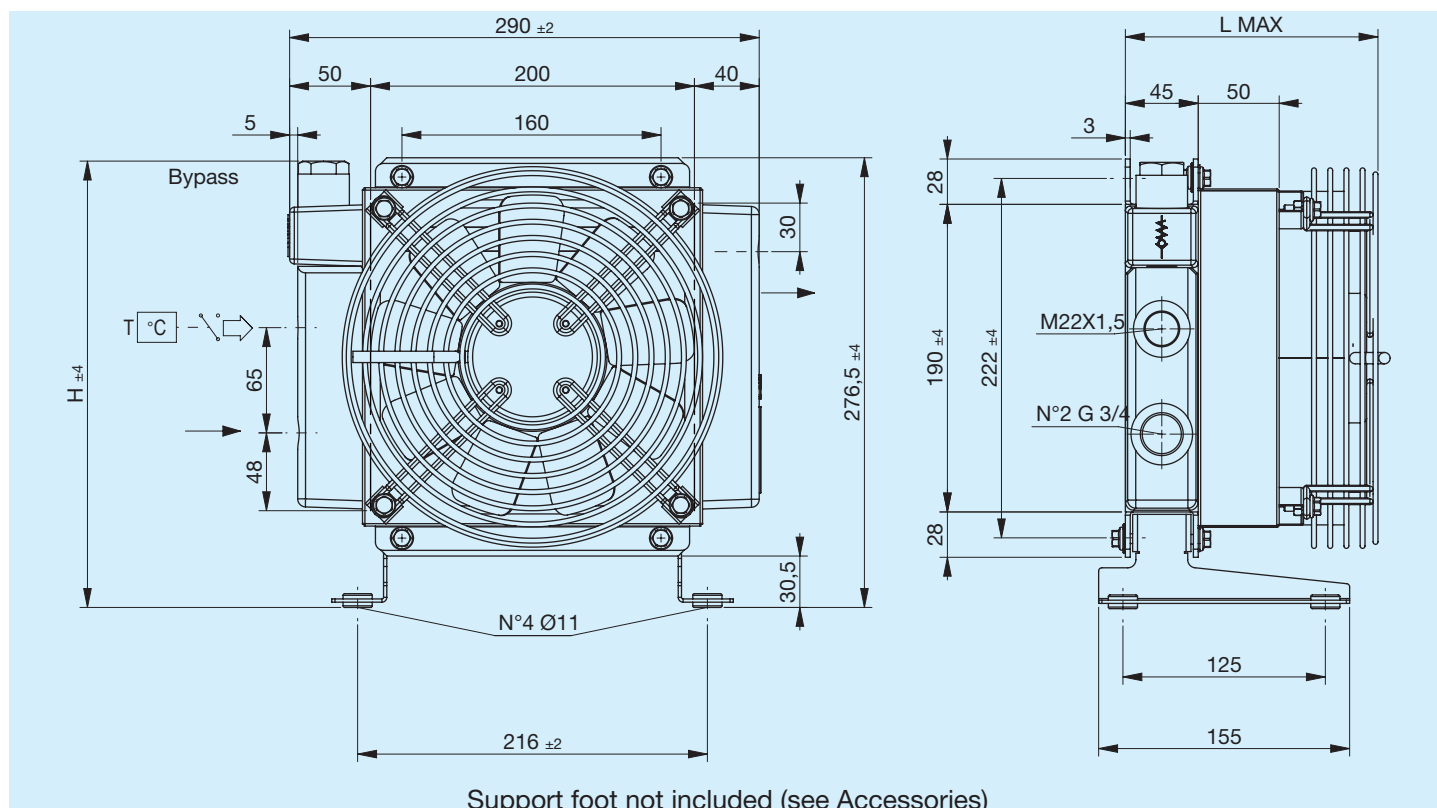


Bypass valves



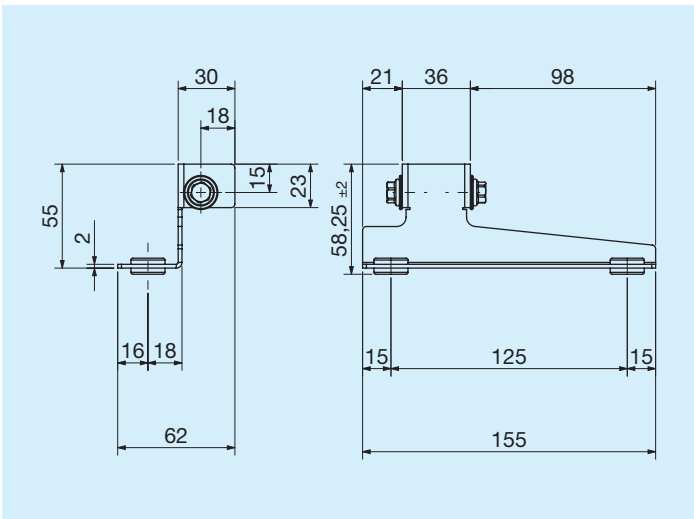
Legend

A16	Exchanger type
1E	1 Fan unit
A	Aspirating
S	Blowing
AP	High power aspirating
SP	High power blower
AX	Extra high power aspirating
SX	Extra high power blower
12V	Fan unit voltage
24V	Fan unit voltage
T15 VT	Thermostatic bypass valve 3 bar 60°C
T15 VNR	Pressure bypass valve at 4.5 bar

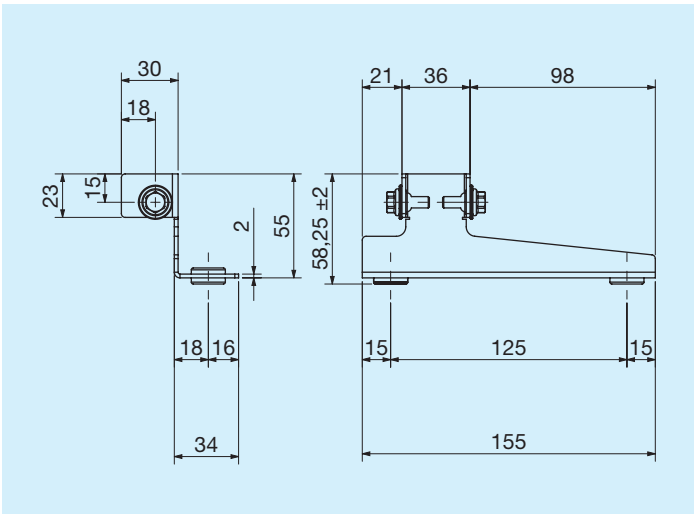


Code	Description	Ø Fan mm	Power W	Frequen- cy Hz	Speed min ⁻¹	Pro- tection IP	L Max mm	H mm	Weight Kg	Capacity l
FR633050031	A16 1EA 230V	200	78	50 60	2600 2900	44	156	276.5	3.7	1
FR633050032	A16 1ES 230V	200	78	50 60	2600 2900	44	156	276.5	3.7	1
FR633050021	A16 1EA 400V	200	70	50 60	2600 2900	44	156	276.5	3.7	1
FR633050022	A16 1ES 400V	200	70	50 60	2600 2900	44	156	276.5	3.7	1
FR633053131	A16 1EA 230V bypass T15 V.T. 3 bar 60°C	200	78	50 60	2600 2900	44	156	276	3.7	1
FR633053132	A16 1ES 230V bypass T15 V.T. 3 bar 60°C	200	78	50 60	2600 2900	44	156	276	3.7	1
FR633051031	A16 1EA 230V bypass T15 VNR 4.5 bar	200	78	50 60	2600 2900	44	156	260	3.7	1
FR633051032	A16 1ES 230V bypass T15 VNR 4.5 bar	200	78	50 60	2600 2900	44	156	260	3.7	1
FR633053121	A16 1EA 400V bypass T15 V.T. 3 bar 60°C	200	70	50 60	2600 2900	44	156	276	3.7	1
FR633053122	A16 1ES 400V bypass T15 V.T. 3 bar 60°C	200	70	50 60	2600 2900	44	156	276	3.7	1
FR633051021	A16 1EA 400V bypass T15 VNR 4.5 bar	200	70	50 60	2600 2900	44	156	260	3.7	1
FR633051022	A16 1ES 400V bypass T15 VNR 4.5 bar	200	70	50 60	2600 2900	44	156	260	3.7	1

Left supporting foot

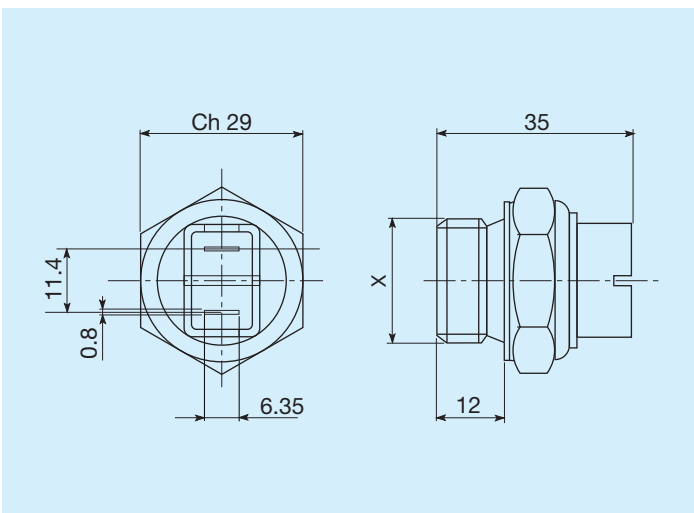


Code	
Left supporting foot	FR290000019R



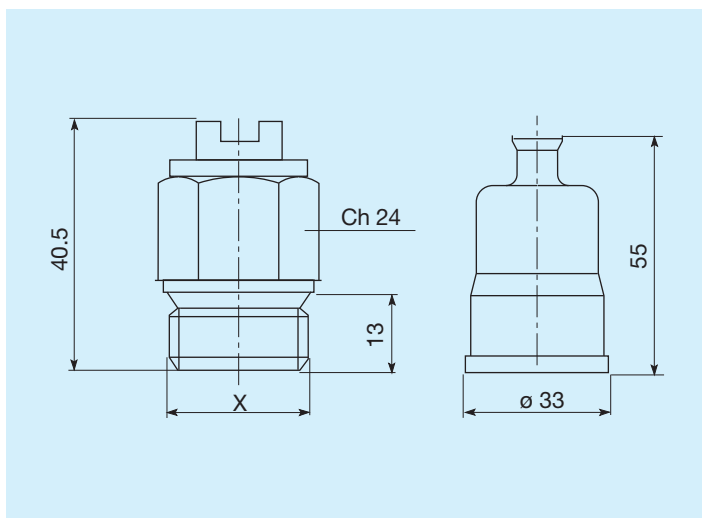
Code	
Right supporting foot	FR290000020R

Thermostats



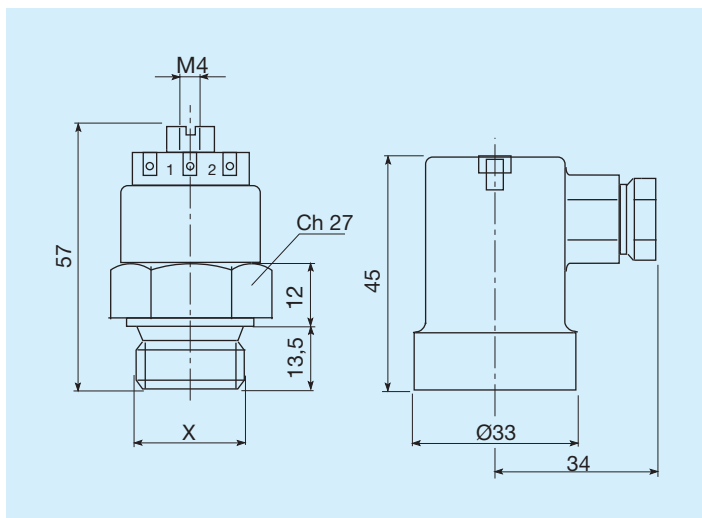
Trigger temperature C°	Threading	Code
45 - 35	M22x1.5	FR361104535R
60 - 50	M22x1.5	FR361106050R
80 - 70	M22x1.5	FR361108070R
82 - 68	M22x1.5	FR361108268R
85 - 76	M22x1.5	FR361108576R

IP54 protected thermal switch



Trigger temperature C°	Threading	Code
45 - 35	M22x1.5	FR361124535R
50 - 40	M22x1.5	FR361125040R
60 - 50	M22x1.5	FR361126050R
70 - 60	M22x1.5	FR361127060R
80 - 70	M22x1.5	FR361128070R

IP65 protected thermal switch



Trigger temperature C°	Threading	Code
45 - 35	M22x1.5	FR361154535R
47 - 36	M22x1.5	FR361155040R
60 - 50	M22x1.5	FR361156050R
80 - 70	M22x1.5	FR361158070R