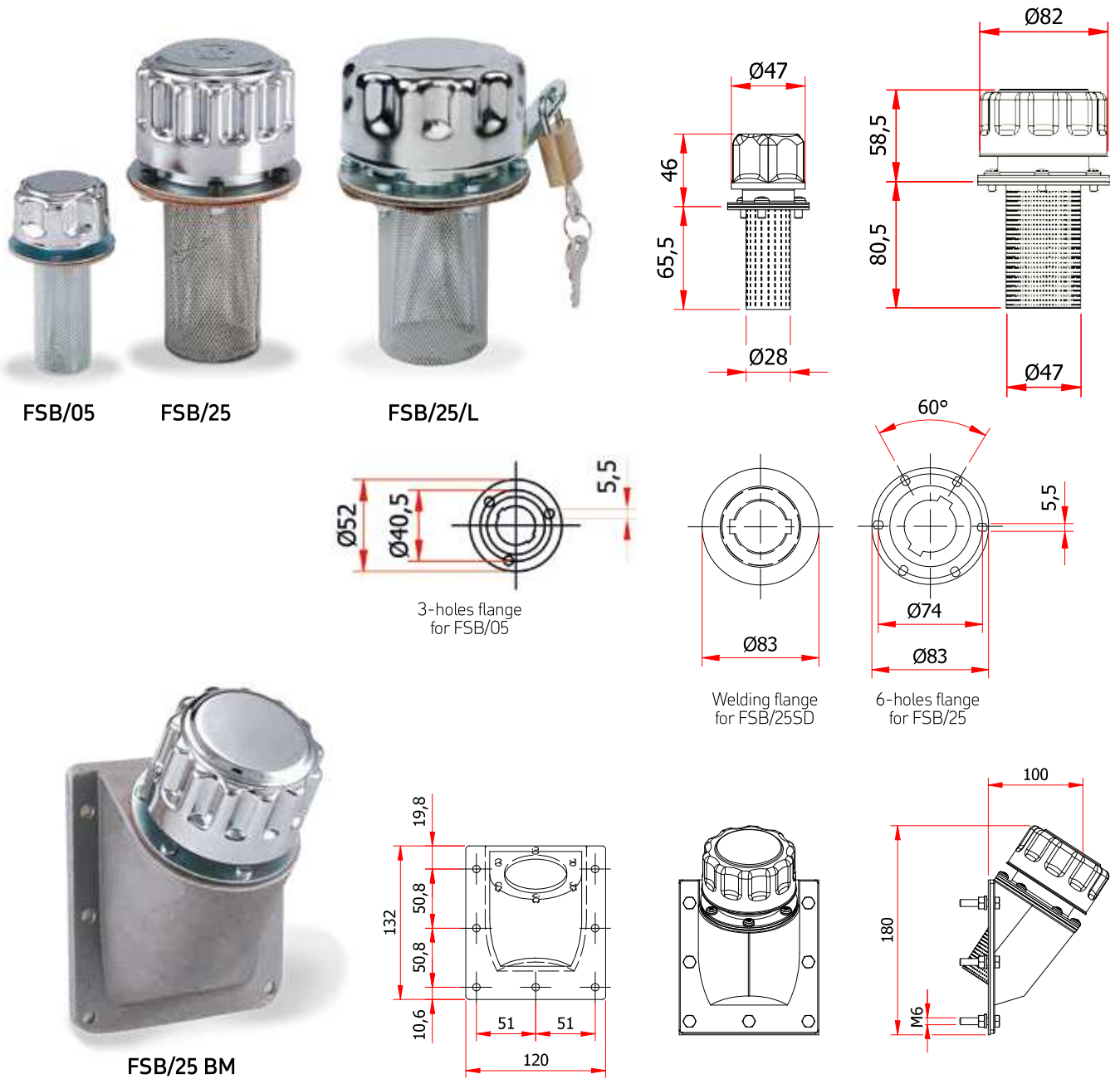


## FSB - FILLER BREATHER CAPS WITH STRAINER, BAYONET STYLE



-Filler breather caps made from chromed steel, polyurethane air filter element (filtration degree 40 microns, option 10 microns).

-Mounting: with flange (3 or 6 holes) and self tapping M5 screws, bayonet connection; model FSB/25SD with welding flange without holes.

-Metal filtering strainer in metal 800 microns filtration degree, removable on the model FSB/25/38.

-Rugged cast aluminum housing (model FSB/25 BM, see drawing for dimensions) is provided for side mounting on the tank.

-Supplied with cork seals (on enquiry with NBR flat seals).

-Available on enquiry model FSB/25/L with safety lock

-Airflow capacity: up to **950 Lt/min**, see details and graphic page 71.

Code	Port. d'aria	A	B	C	D	Weight gr.
FSB/05	120 Lt/min	46,5	44	65	27,5	96
FSB/25 (L)	600 Lt/min	80	58,5	78,5	49	300
FSB/25/150	600 Lt/min	80	55	150	49	327
FSB/25SD	600 Lt/min	80	55	105	38	290
FSB/25/38	600 Lt/min	80	55	101	38	325